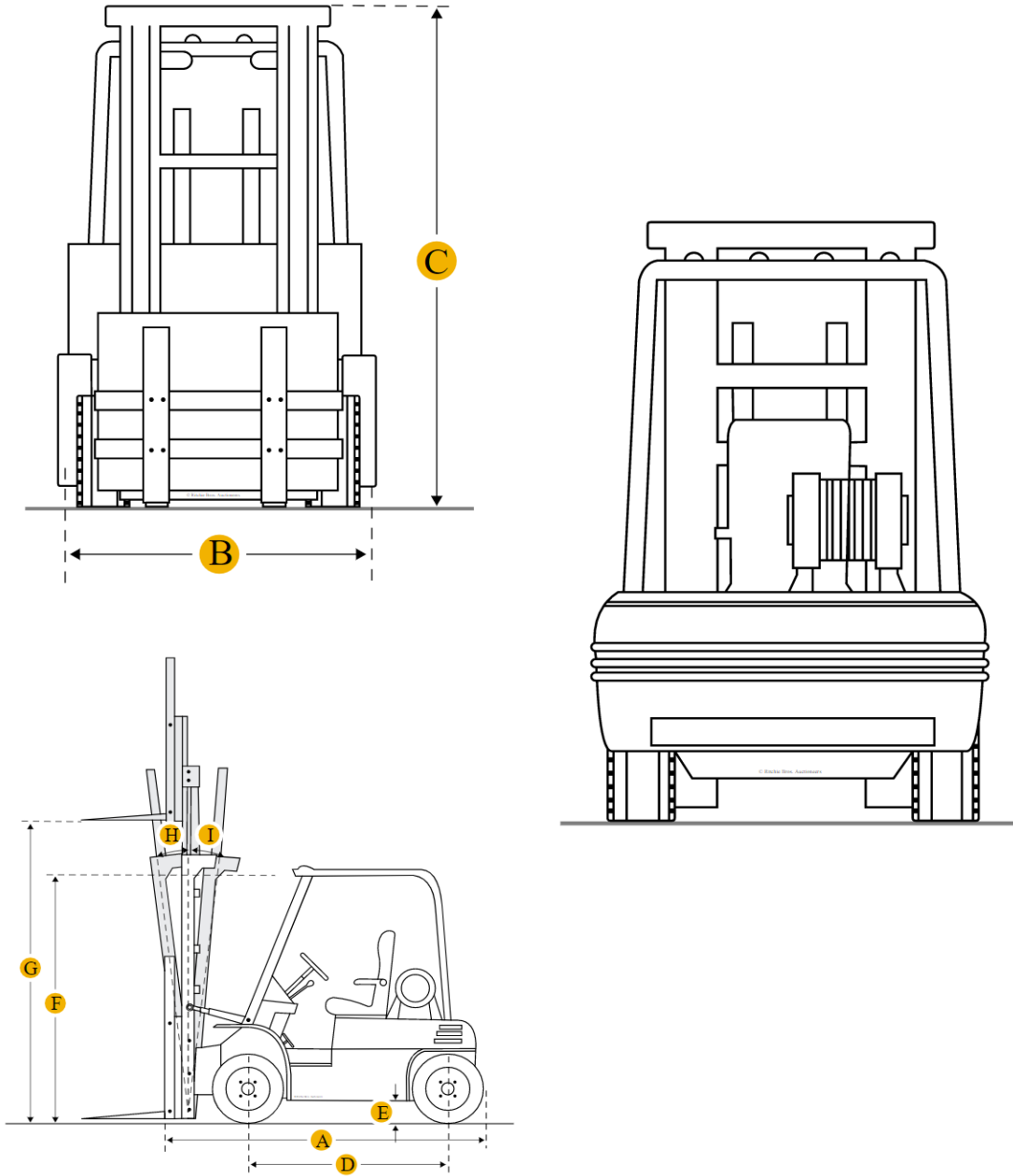


Caterpillar P6000 Forklift



Units Imperial Metric

Dimensions

Dimensions	
A Length to Fork Face	8.93 ft in
B Overall Width	4.19 ft in
C Overall Height - mast lowered	7.12 ft in
D Wheelbase	5.58 ft in
E Ground Clearance	5.36 in
F Height to Top of Overhead Guard	6.98 ft in

G Max Fork Height	10.86 ft in
MAST	
H Mast Tip Forward	6 degrees
I Mast Tip Rear	10 degrees

Specifications

Engine

Engine Model	K25
Power	63 hp
Torque	139 lb ft
Power Measured @	2700 rpm
Displacement	152 cu in
Torque Measured @	1600 rpm
Fuel Type	gas

Operational

Operating Weight	9300 lb
Tire Type	pneumatic
Number of Front Wheels	2
Number of Rear Wheels	2
Max Speed	11 mph

MAST

Load Capacity	6613.9 lb
Load Center	19.7 in
Mast Tip Forward	6 degrees
Mast Tip Rear	10 degrees
Max Fork Spread	39.4 in
Lift Speed	100 ft/min
Lower Speed	98 ft/min

Dimensions

Wheelbase	5.6 ft in
Length to Fork Face	9 ft in
Overall Width	4.2 ft in
Overall Height - mast lowered	7.2 ft in
Max Fork Height	10.9 ft in
Turning Radius	7.9 ft in
Height to Top of Overhead Guard	7 ft in
Ground Clearance	5.4 in